

# GUARANTEE

All Sheen Flameguns are manufactured to high standards and every care is taken to ensure that they leave our works in perfect condition. Furthermore, Sheen Flameguns are guaranteed for a period of 12 months on the following terms:

We undertake to make good by repair or replacement any defects in respect of equipment supplied by us and which arise solely from faulty material or workmanship within a period of 12 calendar months after purchase. Any Sheen Flamegun that is defective should be returned immediately to the dealer from whom it was purchased or direct to our works carriage paid. This guarantee does not apply to defects caused by unfair wear and tear, abnormal working conditions; misuse or neglect.

Please note that this guarantee does not exclude but is in addition to any statutory rights which a purchaser may have.

**Sheen Equipment**  
**Greasley Street · Bulwell · Nottingham**  
**Telephone 0115 927 2321**



# X 300 FLAMEGUN



# INSTRUCTION LEAFLET

## Fault

Burner spits oil after burning for a short while

Flame extinguished

Fuel leak from control valve Gland

## Cause

The filter which is located in the tank outlet pipe should then be cleaned and gun reassembled. (N.B. — always use clean filtered paraffin for this operation.)

If fuel does appear from the control valve then the blockage must be in the burner coil which will have to be replaced.

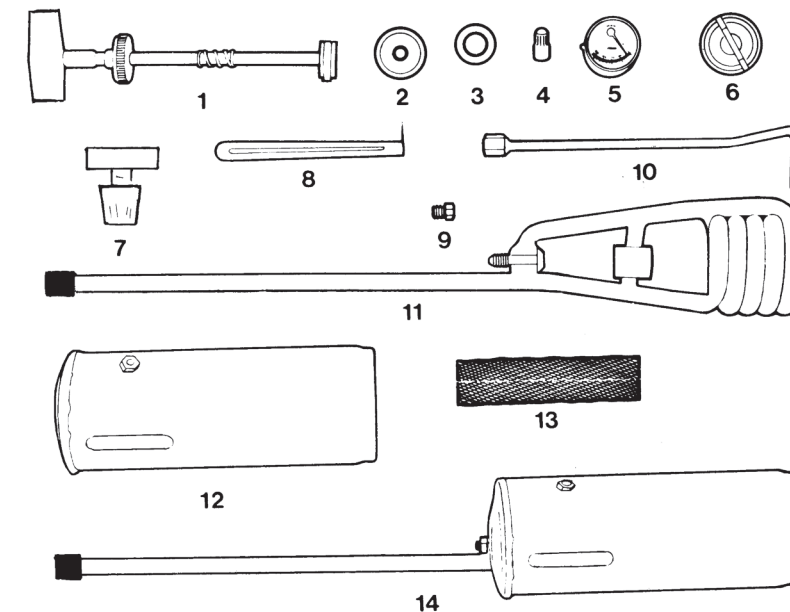
**N.B. — Never use the Flamegun with a short hot flame caused by a blocked Jet as this will ultimately result in the burner tubes becoming blocked with carbon.**

This is generally caused by a Jet which has become enlarged. A replacement Jet should be fitted.

Water in the paraffin can cause this. Empty tank and refill using filtered paraffin.

Tighten gland nut until the hand wheel can just be turned easily and then lock with locknut.

**N.B.—USE ONLY PARAFFIN/KEROSENE WITH THIS FLAMEGUN, NEVER USE PETROL OR OTHER SPIRITS AS THESE COULD BE HIGHLY DANGEROUS.**



## Flame Gun Spares List

No.		£	p
1.	Pump Rod complete ... ..		
2.	Pump Rod Cap ... ..		
3.	Pump Rod Washer (and Filler Cap Washer)		
4.	Non-return Valve Unit complete ... ..		
5.	Pressure Gauge ... ..		
6.	Filler Cap complete ... ..		
7.	Valve complete ... ..		
8.	Pricker ... ..		
9.	Jet ... ..		
10.	Jet Key ... ..		
11.	Burner only ... ..		
12.	Chimney only ... ..		
13.	Fibre Wick ... ..		
14.	Burner complete (Chimney and Burner)		

## FUEL KEROSENE

---

## Starting Instructions

---

1. Remove filler cap and put approximately two-thirds of a gallon of clean paraffin/kerosene into the tank.  
**Note— Petrol or other fuels must not be used.**
2. Replace filler cap and pump three strokes.
3. Open control valve and allow paraffin to drip on to fibre wick.
4. Close control valve.
5. Light the wick to pre-heat burner. Although the valve must be closed during pre-heating, paraffin in the burner coil will burn and preheating is complete when this flame subsides and the gun starts to roar (after approximately four to five minutes).
6. Open control valve approximately half-a-turn and flamegun will start.
7. Adjust flame by pumping up more pressure, recommended pressure 25 lbs. Maximum pressure 40 lbs.

---

## To stop Flamegun

---

1. Close control valve. Please note the flamegun will continue to burn for a minute or so due to the fuel in the coil beyond the reach of the valve.

---

## Maintenance of your Flamegun

---

1. It is essential that the Burner Jet should always be kept clean. Use the pricker provided whilst the flamegun is in use, if there is a short yellow flame. After use remove the jet with the jet key and wash the jet thoroughly with filtered paraffin. Replace jet, **ensure** you don't over tighten.
2. Always ensure that the pump rod and **washer** are well lubricated with light oil.
3. Ensure that the nuts on the control valve are tight.
4. Flush out the tank regularly to ensure there is no build up of water from the paraffin as this will extinguish the flame.

---

## How to use your Flamegun

---

When using the Flamegun for the first time on ground to be cleared of weeds, never attempt to consume the weeds in one burning. Always use the two-stage method as follows :

### First Stage

Flame kill the weeds by using the Gun with an easy scythe-like motion covering a strip approximately six feet wide and walking forward at a slow pace. Do not attempt to burn the weeds at this stage, in this operation. You will notice that one or two hours after this treatment the weeds have been killed and they will have flopped to the ground where they should be allowed to dry for a day or two.

### Second Stage

Flame burn the dry weeds which will ignite immediately the flame comes into contact ; clearing the ground of vegetation, seeds, pests etc., completely.

This two-stage method gives the most economical and efficient clearance of weeds.

### Annual and Perennial Weeds

Annual weeds will be destroyed immediately after the above process. Perennial deep-rooted weeds may require more than one application. By destroying the green growth the root is deprived of oxygen and will subsequently die.

### Bushes etc.

For the clearance of Bush, tangled Vines, Hedges etc., it is advisable to cut the growth as near to the ground as possible. Allow it to stand and dry out for at least 24 hours. One burning will then consume the cut brush and kill the roots at the same time.

---

## Getting the best from your Flamegun

---

Whilst this flamegun has been designed for operation as free from trouble as possible the following hints may prove useful in tracing the source of minor troubles that may arise with continued use.

---

## Fault

---

Burner spits oil  
Sluggish Yellow  
Flame

Pulsating and/or  
spasmodic roar  
of the burner  
after the gun has  
been operating  
for a while

Loss of Pressure

Short Hot Flame

Fuel not  
reaching Burner  
Jet

---

## Cause

---

These two faults are due to the fact that pre-heating was cut short. Close the control valve and allow pre-heating to continue until the fuel in the burner tube vapourises and the burner starts to roar, then re-open control valve slowly.

Close the control valve for two or three seconds and then re-open slowly. Should the flamegun go out whilst correcting these faults, close the control valve again and re-light.

Check that filler cap is closed tightly.

Prick burner jet with pricker provided to remove dirt causing this. If this does not remedy the fault close control valve and allow gun to cool. Then remove jet with Jet Key, clean and replace. **Ensure** you don't over tighten.

Unscrew control valve spindle assembly then pump slowly and fuel should flow out of the control valve. If no fuel appears then the valve filter is blocked and the valve complete with burner should be unscrewed.